



 PriceList

# LV- Power Quality Products and Equipments

With effect from March 12, 2018



[schneider-electric.co.in](http://schneider-electric.co.in)



---

- LV- Power Quality Products and Equipments
  - Can Type 440V Range .....05
  - Box Type 440V Range .....06
  - Capacitor for Detuned filter Application 480V & 525V .....07
  - Detuned Reactor 440V range 5.67 % , 7% & 14 % ..... 10
  - APFC Relays..... 11
  - TeSys Capacitor Duty Contactors (AC control)..... 11
  - Power Factor Correction Equipment- VarSet ..... 13
  - Harmonic Filtration Equipment-AccuSine..... 16
  - Selection of capacitor (kVAr & Voltage) for Detuned filter Application ..... 17



# VarPlus Box Xtreme



Built to perform in **Xtreme** conditions

- Designed for 60°C, offers 60% more life than products designed at 55°C
- Tested to perform 150,000 hrs life in standard operating conditions
- Xtreme inrush withstand of 350X In
- Designed to work in Xtreme environments

[Schneider-electric.co.in](https://www.schneider-electric.co.in)

# Power Factor Correction Products




Can (Cylindrical) Type 440V Capacitors

Description	kVAr Rating	Minimum Ordering Quantity (No.)	Reference	Unit LP
<b>EasyCan (S Duty) 440V Range</b>				
MPP - Standard Duty Can 3Ph 1kVAr 440V 50Hz	1	3	MEHVCSDY010A44	408
MPP - Standard Duty Can 3Ph 2kVAr 440V 50Hz	2	3	MEHVCSDY020A44 <input checked="" type="checkbox"/>	568
MPP - Standard Duty Can 3Ph 3kVAr 440V 50Hz	3	3	MEHVCSDY030A44 <input checked="" type="checkbox"/>	852
MPP - Standard Duty Can 3Ph 4kVAr 440V 50Hz	4	3	MEHVCSDY040A44 <input checked="" type="checkbox"/>	1137
MPP - Standard Duty Can 3Ph 5kVAr 440V 50Hz	5	3	MEHVCSDY050A44 <input checked="" type="checkbox"/>	1126
MPP - Standard Duty Can 3Ph 7.5kVAr 440V 50Hz	7.5	3	MEHVCSDY075A44	1690
MPP - Standard Duty Can 3Ph 10kVAr 440V 50Hz	10	1	MEHVCSDY100A44 <input checked="" type="checkbox"/>	1976
MPP - Standard Duty Can 3Ph 12.5kVAr 440V 50Hz	12.5	1	MEHVCSDY125A44 <input checked="" type="checkbox"/>	2469
MPP - Standard Duty Can 3Ph 15kVAr 440V 50Hz	15	1	MEHVCSDY150A44 <input checked="" type="checkbox"/>	2962
MPP - Standard Duty Can 3Ph 20kVAr 440V 50Hz	20	1	MEHVCSDY200A44 <input checked="" type="checkbox"/>	3948
MPP - Standard Duty Can 3Ph 25kVAr 440V 50Hz	25	1	MEHVCSDY250A44 <input checked="" type="checkbox"/>	4937
<b>VarPlus Can (H Duty) 440V Range</b>				
MPP - Heavy Duty Can 3Ph 1kVAr 440V 50Hz	1	3	MEHVCHDY010A44	544
MPP - Heavy Duty Can 3Ph 2kVAr 440V 50Hz	2	3	MEHVCHDY020A44 <input checked="" type="checkbox"/>	853
MPP - Heavy Duty Can 3Ph 3kVAr 440V 50Hz	3	3	MEHVCHDY030A44 <input checked="" type="checkbox"/>	1280
MPP - Heavy Duty Can 3Ph 4kVAr 440V 50Hz	4	3	MEHVCHDY040A44 <input checked="" type="checkbox"/>	1706
MPP - Heavy Duty Can 3Ph 5kVAr 440V 50Hz	5	3	MEHVCHDY050A44 <input checked="" type="checkbox"/>	1796
MPP - Heavy Duty Can 3Ph 7.5kVAr 440V 50Hz	7.5	3	MEHVCHDY075A44	2695
MPP - Heavy Duty Can 3Ph 10kVAr 440V 50Hz	10	1	MEHVCHDY100A44 <input checked="" type="checkbox"/>	3370
MPP - Heavy Duty Can 3Ph 12.5kVAr 440V 50Hz	12.5	1	MEHVCHDY125A44 <input checked="" type="checkbox"/>	4214
MPP - Heavy Duty Can 3Ph 15kVAr 440V 50Hz	15	1	MEHVCHDY150A44 <input checked="" type="checkbox"/>	5055
MPP - Heavy Duty Can 3Ph 20kVAr 440V 50Hz	20	1	MEHVCHDY200A44 <input checked="" type="checkbox"/>	6741
MPP - Heavy Duty Can 3Ph 25kVAr 440V 50Hz	25	1	MEHVCHDY250A44 <input checked="" type="checkbox"/>	8425
MPP - Heavy Duty Can 3Ph 30kVAr 440V 50Hz	30	1	MEHVCHDY300A44	10110
MPP - Heavy Duty Can 3Ph 40kVAr 440V 50Hz (Single unit with IP00)	40	1	MEHVCHDY400A44	13134
MPP - Heavy Duty Can 3Ph 50kVAr 440V 50Hz (Single unit with IP00)	50	1	MEHVCHDY500A44	16417
<b>VarPlus Can (GH Duty) 440V Range</b>				
MPP - Gas Heavy Duty Can 3Ph 5kVAr 440V 50Hz	5	3	MEHVCGSF050A44 <input checked="" type="checkbox"/>	1938
MPP - Gas Heavy Duty Can 3Ph 7.5kVAr 440V 50Hz	7.5	3	MEHVCGSF075A44	2904
MPP - Gas Heavy Duty Can 3Ph 10kVAr 440V 50Hz	10	1	MEHVCGSF100A44 <input checked="" type="checkbox"/>	3582
MPP - Gas Heavy Duty Can 3Ph 12.5kVAr 440V 50Hz	12.5	1	MEHVCGSF125A44 <input checked="" type="checkbox"/>	4475
MPP - Gas Heavy Duty Can 3Ph 15kVAr 440V 50Hz	15	1	MEHVCGSF150A44 <input checked="" type="checkbox"/>	5370
MPP - Gas Heavy Duty Can 3Ph 20kVAr 440V 50Hz	20	1	MEHVCGSF200A44 <input checked="" type="checkbox"/>	7161
MPP - Gas Heavy Duty Can 3Ph 25kVAr 440V 50Hz	25	1	MEHVCGSF250A44 <input checked="" type="checkbox"/>	8950
MPP - Gas Heavy Duty Can 3Ph 30kVAr 440V 50Hz	30	1	MEHVCGSF300A44	10735
MPP - Gas Heavy Duty Can 3Ph 40kVAr 440V 50Hz (Single unit with IP00)	40	1	MEHVCGSF400A44	13897
MPP - Gas Heavy Duty Can 3Ph 50kVAr 440V 50Hz (Single unit with IP00)	50	1	MEHVCGSF500A44	17370

# Power Factor Correction Products



Box (Square) Type 440V Capacitors

Description	kVAr Rating	Minimum Ordering Quantity (No.)	Reference	Unit LP 
<b>VarPlus Box S Duty 440V Range</b>				
MPP - Standard Duty Box 3ph 7.5kVAr 440V 50Hz	7.5	1	MEHVBSDY075A44	2244
MPP - Standard Duty Box 3Ph 10kVAr 440V 50Hz	10	1	MEHVBSDY100A44 <input checked="" type="checkbox"/>	2884
MPP - Standard Duty Box 3ph 12.5kVAr 440V 50Hz	12.5	1	MEHVBSDY125A44	3605
MPP - Standard Duty Box 3ph 15kVAr 440V 50Hz	15	1	MEHVBSDY150A44	4324
MPP - Standard Duty Box 3ph 20kVAr 440V 50Hz	20	1	MEHVBSDY200A44 <input checked="" type="checkbox"/>	5766
MPP - Standard Duty Box 3ph 25kVAr 440V 50Hz	25	1	MEHVBSDY250A44 <input checked="" type="checkbox"/>	7207
MPP - Standard Duty Box 3ph 30kVAr 440V 50Hz	30	1	MEHVBSDY300A44	9235
MPP - Standard Duty Box 3ph 50kVAr 440V 50Hz(single unit)	50	1	MEHVBSDY500A44	15393
<b>VarPlus Box Xtreme H Duty 440V Range <span style="background-color: #008000; color: white; padding: 2px;">New</span></b>				
MPP - Xtreme Heavy Duty Box 3Ph 5kVAr 440V 50Hz	5	1	MEHVBHDY050A44 <input checked="" type="checkbox"/>	2390
MPP - Xtreme Heavy Duty Box 3Ph 7.5kVAr 440V 50Hz	7.5	1	MEHVBHDY075A44	3582
MPP - Xtreme Heavy Duty Box Box 3Ph 10kVAr 440V 50Hz	10	1	MEHVBHDY100A44 <input checked="" type="checkbox"/>	4080
MPP - Xtreme Heavy Duty Box 3Ph 12.5kVAr 440V 50Hz	12.5	1	MEHVBHDY125A44 <input checked="" type="checkbox"/>	5109
MPP - Xtreme Heavy Duty Box 3Ph 15kVAr 440V 50Hz	15	1	MEHVBHDY150A44 <input checked="" type="checkbox"/>	6130
MPP - Xtreme Heavy Duty Box 3Ph 20kVAr 440V 50Hz	20	1	MEHVBHDY200A44 <input checked="" type="checkbox"/>	8171
MPP - Xtreme Heavy Duty Box 3Ph 25kVAr 440V 50Hz	25	1	MEHVBHDY250A44 <input checked="" type="checkbox"/>	10214
MPP - Xtreme Heavy Duty Box 3Ph 30kVAr 440V 50Hz	30	1	MEHVBHDY300A44	12257
MPP - Xtreme Heavy Duty Box 3Ph 50kVAr 440V 50Hz (single unit)	50	1	MEHVBHDY500A44	21096
<b>VarPlus Box Energy (MD-XL) 440V Range</b>				
Energy - MD-XL Box 3Ph 5kVAr 440V 50 Hz	5	1	MEHVBENY050A44 <input checked="" type="checkbox"/>	3746
Energy - MD-XL Box 3Ph 7.5kVAr 440V 50 Hz	7.5	1	MEHVBENY075A44	5618
Energy - MD-XL Box 3Ph 10kVAr 440V 50 Hz	10	1	MEHVBENY100A44 <input checked="" type="checkbox"/>	7152
Energy - MD-XL Box 3Ph 12.5kVAr 440V 50Hz	12.5	1	MEHVBENY125A44	8945
Energy - MD-XL Box 3Ph 15kVAr 440V 50 Hz	15	1	MEHVBENY150A44 <input checked="" type="checkbox"/>	10716
Energy - MD-XL Box 3Ph 20kVAr 440V 50 Hz	20	1	MEHVBENY200A44 <input checked="" type="checkbox"/>	14288
Energy - MD-XL Box 3Ph 25kVAr 440V 50 Hz	25	1	MEHVBENY250A44 <input checked="" type="checkbox"/>	17888
Energy - MD-XL Box 3Ph 30kVAr 440V 50 Hz	30	1	MEHVBENY300A44	21454
Energy - MD-XL Box 3Ph 50kVAr 440V 50 Hz(Single unit)	50	1	MEHVBENY500A44	38473
<b>VarPlus Box APP 440V Range</b>				
APP - Box 3Ph 5kVAr 440V 50Hz	5	1	MEHVBAPP050A44 <input checked="" type="checkbox"/>	3563
APP - Box 3Ph 7.5kVAr 440V 50Hz	7.5	1	MEHVBAPP075A44	5345
APP - Box 3Ph 10kVAr 440V 50Hz	10	1	MEHVBAPP100A44 <input checked="" type="checkbox"/>	6252
APP - Box 3Ph 12.5kVAr 440V 50Hz	12.5	1	MEHVBAPP125A44	7816
APP - Box 3Ph 15kVAr 440V 50Hz	15	1	MEHVBAPP150A44 <input checked="" type="checkbox"/>	9379
APP - Box 3Ph 20kVAr 440V 50Hz	20	1	MEHVBAPP200A44 <input checked="" type="checkbox"/>	12506
APP - Box 3Ph 25kVAr 440V 50Hz	25	1	MEHVBAPP250A44 <input checked="" type="checkbox"/>	15632
APP - Box 3Ph 30kVAr 440V 50Hz	30	1	MEHVBAPP300A44	18793
APP - Box 3Ph 50kVAr 440V 50Hz (Bank 25kVAr x 2 nos)	50	1	MEHVBAPP500A44	34848

# Power Factor Correction Products



## Detuned Filter Application Capacitors

Description	kVArRating	Minimum Ordering Quantity (No.)	Reference	Unit LP
<b>* Capacitors for 7%/5.7% , 440V Detuned Filter Application</b>				
<b>VarPlus Can (H Duty) 480V Range</b>				
MPP - Heavy Duty Can 3Ph 5.6kVAr 480V 50Hz	5.6	1	MEHVCHDY056A48 <input checked="" type="checkbox"/>	2011
MPP - Heavy Duty Can 3Ph 6.7kVAr 480V 50Hz	6.7	1	MEHVCHDY067A48	2406
MPP - Heavy Duty Can 3Ph 11.3kVAr 480V 50Hz	11.3	1	MEHVCHDY113A48 <input checked="" type="checkbox"/>	3804
MPP - Heavy Duty Can 3Ph 12.5kVAr 480V 50Hz	12.5	1	MEHVCHDY125A48	4208
MPP - Heavy Duty Can 3Ph 14.4kVAr 480V 50Hz	14.4	1	MEHVCHDY144A48 <input checked="" type="checkbox"/>	4852
MPP - Heavy Duty Can 3Ph 15.5kVAr 480V 50Hz	15.5	1	MEHVCHDY155A48	5222
MPP - Heavy Duty Can 3Ph 17kVAr 480V 50Hz	17	1	MEHVCHDY170A48 <input checked="" type="checkbox"/>	5730
MPP - Heavy Duty Can 3Ph 19kVAr 480V 50Hz	19	1	MEHVCHDY190A48	6404
MPP - Heavy Duty Can 3Ph 22.4kVAr 480V 50Hz	22.4	1	MEHVCHDY224A48 <input checked="" type="checkbox"/>	7548
MPP - Heavy Duty Can 3Ph 25kVAr 480V 50Hz	25	1	MEHVCHDY250A48	8426
MPP - Heavy Duty Can 3Ph 28.1kVAr 480V 50Hz	28.1	1	MEHVCHDY281A48 <input checked="" type="checkbox"/>	9462
MPP - Heavy Duty Can 3Ph 31.5kVAr 480V 50Hz	31.5	1	MEHVCHDY315A48	10607
<b>VarPlus Can (GH Duty) 480V Range</b>				
MPP - GasHeavy Duty Can 3Ph 5.6kVAr 480V 50Hz	5.6	1	MEHVCGSF056A48 <input checked="" type="checkbox"/>	2169
MPP - GasHeavy Duty Can 3Ph 6.7kVAr 480V 50Hz	6.7	1	MEHVCGSF067A48	2595
MPP - GasHeavy Duty Can 3Ph 11.3kVAr 480V 50Hz	11.3	1	MEHVCGSF113A48 <input checked="" type="checkbox"/>	4043
MPP - GasHeavy Duty Can 3Ph 12.5kVAr 480V 50Hz	12.5	1	MEHVCGSF125A48	4472
MPP - GasHeavy Duty Can 3Ph 14.4kVAr 480V 50Hz	14.4	1	MEHVCGSF144A48 <input checked="" type="checkbox"/>	5152
MPP - GasHeavy Duty Can 3Ph 15.5kVAr 480V 50Hz	15.5	1	MEHVCGSF155A48	5546
MPP - GasHeavy Duty Can 3Ph 17kVAr 480V 50Hz	17	1	MEHVCGSF170A48 <input checked="" type="checkbox"/>	6083
MPP - GasHeavy Duty Can 3Ph 19kVAr 480V 50Hz	19	1	MEHVCGSF190A48	6799
MPP - GasHeavy Duty Can 3Ph 22.4kVAr 480V 50Hz	22.4	1	MEHVCGSF224A48	8015
MPP - GasHeavy Duty Can 3Ph 25kVAr 480V 50Hz	25	1	MEHVCGSF250A48	8945
MPP - GasHeavy Duty Can 3Ph 28.1kVAr 480V 50Hz	28.1	1	MEHVCGSF281A48 <input checked="" type="checkbox"/>	10091
MPP - GasHeavy Duty Can 3Ph 31.5kVAr 480V 50Hz	31.5	1	MEHVCGSF315A48	11313
<b>VarPlus Box Xtreme H Duty 480V Range <span style="background-color: green; color: white; padding: 2px;">New</span></b>				
MPP - Xtreme Heavy Duty Box 3Ph 5.6kVAr 480V 50Hz	5.6	1	MEHVBHDY056A48	2675
MPP - Xtreme Heavy Duty Box 3Ph 6.7kVAr 480V 50Hz	6.7	1	MEHVBHDY067A48	3201
MPP - Xtreme Heavy Duty Box 3Ph 11.3kVAr 480V 50Hz	11.3	1	MEHVBHDY113A48	4616
MPP - Xtreme Heavy Duty Box 3Ph 14.4kVAr 480V 50Hz	14.4	1	MEHVBHDY144A48	5882
MPP - Xtreme Heavy Duty Box 3Ph 17kVAr 480V 50Hz	17	1	MEHVBHDY170A48	6943
MPP - Xtreme Heavy Duty Box 3Ph 22.4kVAr 480V 50Hz	22.4	1	MEHVBHDY224A48	9114
MPP - Xtreme Heavy Duty Box 3Ph 25kVAr 480V 50Hz	25	1	MEHVBHDY250A48	10174
MPP - Xtreme Heavy Duty Box 3Ph 28.1kVAr 480V 50Hz	28.1	1	MEHVBHDY281A48	11435
MPP - Xtreme Heavy Duty Box 3Ph 31.5kVAr 480V 50Hz	31.5	1	MEHVBHDY315A48	12818
MPP - Xtreme Heavy Duty Box 3Ph 56.1kVAr 480V 50Hz (Single unit)	56.1	1	MEHVBHDY561A48	23656
<b>VarPlus Box Energy (MD-XL) 480V Range</b>				
Energy - MD-XL Box 3Ph 5.6kVAr 480V 50 Hz	5.6	1	MEHVBENY056A48	4191
Energy - MD-XL Box 3Ph 6.7kVAr 480V 50 Hz	6.7	1	MEHVBENY067A48	5014
Energy - MD-XL Box 3Ph 11.3kVAr 480V 50 Hz	11.3	1	MEHVBENY113A48	8079
Energy - MD-XL Box 3Ph 14.4kVAr 480V 50 Hz	14.4	1	MEHVBENY144A48	10303
Energy - MD-XL Box 3Ph 15.5kVAr 480V 50 Hz	15.5	1	MEHVBENY155A48	11091
Energy - MD-XL Box 3Ph 17kVAr 480V 50 Hz	17	1	MEHVBENY170A48	12163
Energy - MD-XL Box 3Ph 19kVAr 480V 50 Hz	19	1	MEHVBENY190A48	13595
Energy - MD-XL Box 3Ph 22.4kVAr 480V 50 Hz	22.4	1	MEHVBENY224A48	16028
Energy - MD-XL Box 3Ph 25.0kVAr 480V 50 Hz	25	1	MEHVBENY250A48	17895
Energy - MD-XL Box 3Ph 28.1kVAr 480V 50 Hz	28.1	1	MEHVBENY281A48 <input checked="" type="checkbox"/>	20114
Energy - MD-XL Box 3Ph 31.5kVAr 480V 50 Hz	31.5	1	MEHVBENY315A48	22546
Energy - MD-XL Box 3Ph 56.1kVAr 480V 50 Hz (single unit)	56.1	1	MEHVBENY561A48	43134

\* Refer to Selection chart for Reactors & Capacitors available on page 15

NORMAL STOCK ITEMS

W.E.F. March 12, 2018

# Power Factor Correction Products



## Detuned Filter Application Capacitors

Description	kVAR Rating	Minimum Ordering Quantity (No.)	Reference	Unit LP
<b>VarPlus Box APP 480V Range</b>				
APP - Box 3Ph 5.6kVAr 480V 50Hz	5.6	1	MEHVBAPP056A48	3985
APP - Box 3Ph 6.7kVAr 480V 50Hz	6.7	1	MEHVBAPP067A48	4767
APP - Box 3Ph 11.3kVAr 480V 50Hz	11.3	1	MEHVBAPP113A48	7075
APP - Box 3Ph 12.5kVAr 480V 50Hz	12.5	1	MEHVBAPP125A48	7827
APP - Box 3Ph 14.4kVAr 480V 50Hz	14.4	1	MEHVBAPP144A48	9017
APP - Box 3Ph 15.5kVAr 480V 50Hz	15.5	1	MEHVBAPP155A48	9693
APP - Box 3Ph 17kVAr 480V 50Hz	17	1	MEHVBAPP170A48	10658
APP - Box 3Ph 19kVAr 480V 50Hz	19	1	MEHVBAPP190A48	11883
APP - Box 3Ph 22.4kVAr 480V 50Hz	22.4	1	MEHVBAPP224A48	14042
APP - Box 3Ph 25kVAr 480V 50Hz	25	1	MEHVBAPP250A48	15636
APP - Box 3Ph 28.1kVAr 480V 50Hz	28.1	1	MEHVBAPP281A48 <input checked="" type="checkbox"/>	17574
APP - Box 3Ph 31.5kVAr 480V 50Hz	31.5	1	MEHVBAPP315A48	19701
APP - Box 3Ph 56.1kVAr 480V 50Hz (Bank 28.1kVAr x 2nos)	56.1	1	MEHVBAPP561A48	39100
<b>* Capacitors for 7%/ 5.7%/ 14% , 440V Filter Application</b>				
<b>VarPlus Can (H Duty) 525V Range</b>				
MPP - Heavy Duty Can 3Ph 6.9kVAr 525V 50Hz	6.9	1	MEHVCHDY069A52	2481
MPP - Heavy Duty Can 3Ph 12.5kVAr 525V 50Hz	12.5	1	MEHVCHDY125A52	4211
MPP - Heavy Duty Can 3Ph 13.8kVAr 525V 50Hz	13.8	1	MEHVCHDY138A52	4649
MPP - Heavy Duty Can 3Ph 15.4kVAr 525V 50Hz	15.4	1	MEHVCHDY154A52	5187
MPP - Heavy Duty Can 3Ph 17.2kVAr 525V 50Hz	17.2	1	MEHVCHDY172A52	5796
MPP - Heavy Duty Can 3Ph 18.5kVAr 525V 50Hz	18.5	1	MEHVCHDY185A52	6232
MPP - Heavy Duty Can 3Ph 20.6kVAr 525V 50Hz	20.6	1	MEHVCHDY206A52	6938
MPP - Heavy Duty Can 3Ph 22.6kVAr 525V 50Hz	22.6	1	MEHVCHDY226A52	7613
MPP - Heavy Duty Can 3Ph 25kVAr 525V 50Hz	25	1	MEHVCHDY250A52	8425
MPP - Heavy Duty Can 3Ph 27.5kVAr 525V 50Hz	27.5	1	MEHVCHDY275A52	9267
MPP - Heavy Duty Can 3Ph 30.6kVAr 525V 50Hz	30.6	1	MEHVCHDY306A52	10311
MPP - Heavy Duty Can 3Ph 33.1kVAr 525V 50Hz	33.1	1	MEHVCHDY331A52 <input checked="" type="checkbox"/>	11196
MPP - Heavy Duty Can 3Ph 34.4kVAr 525V 50Hz	34.4	1	MEHVCHDY344A52	11583
MPP-Heavy Duty Can 3Ph 37.7 kVAr 525V 50Hz	37.7	1	MEHVCHDY377A52	12691
<b>VarPlus Can (GH Duty) 525V Range</b>				
MPP - GasHeavy Duty Can 3Ph 6.9kVAr 525V 50Hz	6.9	1	MEHVCGSF069A52	2679
MPP - GasHeavy Duty Can 3Ph 12.5kVAr 525V 50Hz	12.5	1	MEHVCGSF125A52	4487
MPP - GasHeavy Duty Can 3Ph 13.8kVAr 525V 50Hz	13.8	1	MEHVCGSF138A52	4953
MPP - GasHeavy Duty Can 3Ph 15.4kVAr 525V 50Hz	15.4	1	MEHVCGSF154A52	5491
MPP - GasHeavy Duty Can 3Ph 17.2kVAr 525V 50Hz	17.2	1	MEHVCGSF172A52	6180
MPP - GasHeavy Duty Can 3Ph 18.5kVAr 525V 50Hz	18.5	1	MEHVCGSF185A52	6612
MPP - GasHeavy Duty Can 3Ph 20.6kVAr 525V 50Hz	20.6	1	MEHVCGSF206A52	7401
MPP - GasHeavy Duty Can 3Ph 22.6kVAr 525V 50Hz	22.6	1	MEHVCGSF226A52	8120
MPP - GasHeavy Duty Can 3Ph 25kVAr 525V50Hz	25	1	MEHVCGSF250A52	8976
MPP - GasHeavy Duty Can 3Ph 27.5kVAr 525V50Hz	27.5	1	MEHVCGSF275A52	9882
MPP - GasHeavy Duty Can 3Ph 30.6kVAr 525V50Hz	30.6	1	MEHVCGSF306A52	10994
MPP - GasHeavy Duty Can 3Ph 33.1kVAr 525V50Hz	33.1	1	MEHVCGSF331A52 <input checked="" type="checkbox"/>	11894
MPP - Gas Heavy Duty Can 3Ph 34.4kVAr 525V50Hz	34.4	1	MEHVCGSF344A52	12361
MPP - GasHeavy Duty Can 3Ph 37.7kVAr 525V50Hz	37.7	1	MEHVCGSF377A52	13519

\* Refer to Selection chart for Reactors & Capacitors available on page 15



# Power Factor Correction Products



## Detuned Filter Application Capacitors

Description	kVAr Rating	Minimum Ordering Quantity (No.)	Reference	Unit LP
<b>VarPlus Box Xtreme H Duty 525V Range <span style="color: green;">New</span></b>				
MPP - Xtreme Heavy Duty Box 3Ph 6.9kVAr 525V 50Hz	6.9	1	MEHVBHDY069A52	2815
MPP - Xtreme Heavy Duty Box 3Ph 12.5kVAr 525V 50Hz	12.5	1	MEHVBHDY125A52	5090
MPP - Xtreme Heavy Duty Box 3Ph 13.8kVAr 525V 50Hz	13.8	1	MEHVBHDY138A52	5630
MPP - Xtreme Heavy Duty Box 3Ph 15.4kVAr 525V 50Hz	15.4	1	MEHVBHDY154A52	6282
MPP - Xtreme Heavy Duty Box 3Ph 17.2kVAr 525V 50Hz	17.2	1	MEHVBHDY172A52	7019
MPP - Xtreme Heavy Duty Box 3Ph 18.5kVAr 525V 50Hz	18.5	1	MEHVBHDY185A52	7560
MPP - Xtreme Heavy Duty Box 3Ph 20.6kVAr 525V 50Hz	20.6	1	MEHVBHDY206A52	8405
MPP - Xtreme Heavy Duty Box 3Ph 22.6kVAr 525V 50Hz	22.6	1	MEHVBHDY226A52	9195
MPP - Xtreme Heavy Duty Box 3Ph 25kVAr 525V 50Hz	25	1	MEHVBHDY250A52	10214
MPP - Xtreme Heavy Duty Box 3Ph 27.5kVAr 525V 50Hz	27.5	1	MEHVBHDY275A52	11229
MPP - Xtreme Heavy Duty Box 3Ph 30.6kVAr 525V 50Hz	30.6	1	MEHVBHDY306A52	12455
MPP - Xtreme Heavy Duty Box 3Ph 33.1kVAr 525V 50Hz	33.1	1	MEHVBHDY331A52	13518
MPP - Xtreme Heavy Duty Box 3Ph 37.7kVAr 525V 50Hz	37.7	1	MEHVBHDY377A52	15345
<b>VarPlus Box Energy (MD - XL) 525V Range</b>				
Energy - MD-XL Box 3Ph 6.9kVAr 525V 50 Hz	6.9	1	MEHVBENY069A52	5163
Energy - MD-XL Box 3Ph 12.5kVAr 525V 50 Hz	12.5	1	MEHVBENY125A52	8935
Energy - MD-XL Box 3Ph 13.8kVAr 525V 50 Hz	13.8	1	MEHVBENY138A52	9875
Energy - MD-XL Box 3Ph 15.4kVAr 525V 50 Hz	15.4	1	MEHVBENY154A52	11009
Energy - MD-XL Box 3Ph 17.2kVAr 525V 50 Hz	17.2	1	MEHVBENY172A52	12288
Energy - MD-XL Box 3Ph 18.5kVAr 525V 50 Hz	18.5	1	MEHVBENY185A52	13219
Energy - MD-XL Box 3Ph 20.6kVAr 525V 50 Hz	20.6	1	MEHVBENY206A52	14719
Energy - MD-XL Box 3Ph 22.6kVAr 525V 50 Hz	22.6	1	MEHVBENY226A52	16133
Energy - MD-XL Box 3Ph 25kVAr 525V 50 Hz	25	1	MEHVBENY250A52	17876
Energy - MD-XL Box 3Ph 27.5kVAr 525V 50 Hz	27.5	1	MEHVBENY275A52	19643
Energy - MD-XL Box 3Ph 30.6kVAr 525V 50 Hz	30.6	1	MEHVBENY306A52	21870
Energy - MD-XL Box 3Ph 33.1kVAr 525V 50 Hz	33.1	1	MEHVBENY331A52	23647
Energy - MD-XL Box 3Ph 37.7kVAr 525V 50 Hz	37.7	1	MEHVBENY377A52	26942
<b>VarPlus Box APP 525V Range</b>				
APP - Box 3Ph 6.9kVAr 525V 50Hz	6.9	1	MEHVBAPP069A52	4910
APP - Box 3Ph 9.2kVAr 525V 50Hz	9.2	1	MEHVBAPP092A52	6549
APP - Box 3Ph 12.5kVAr 525V 50Hz	12.5	1	MEHVBAPP125A52	7817
APP - Box 3Ph 13.8kVAr 525V 50Hz	13.8	1	MEHVBAPP138A52	8626
APP - Box 3Ph 15.4kVAr 525V 50Hz	15.4	1	MEHVBAPP154A52	9626
APP - Box 3Ph 17.2kVAr 525V 50Hz	17.2	1	MEHVBAPP172A52	10773
APP - Box 3Ph 18.5kVAr 525V 50Hz	18.5	1	MEHVBAPP185A52	11569
APP - Box 3Ph 20.6kVAr 525V 50Hz	20.6	1	MEHVBAPP206A52	12884
APP - Box 3Ph 22.6kVAr 525V 50Hz	22.6	1	MEHVBAPP226A52	14133
APP - Box 3Ph 25kVAr 525V 50Hz	25	1	MEHVBAPP250A52	15638
APP - Box 3Ph 27.5kVAr 525V 50Hz	27.5	1	MEHVBAPP275A52	17200
APP - Box 3Ph 30.6kVAr 525V 50Hz	30.6	1	MEHVBAPP306A52	19138
APP - Box 3Ph 33.1kVAr 525V 50Hz	33.1	1	MEHVBAPP331A52	20701
APP - Box 3Ph 37.7kVAr 525V 50Hz	37.7	1	MEHVBAPP377A52	23578

Refer to Selection chart for Reactors & Capacitors available on page 15

NORMAL STOCK ITEMS

W.E.F. March 12, 2018

# PFC - Detuned Reactors



## Detuned Reactor 440V Range

Description	kVAr Rating	Minimum Ordering Quantity (No.)	Reference	Unit LP
<b>VarPlus Detuned Reactor 5.7%, 440V Range</b>				
Detuned Reactor 5.7% 3Ph 5kVAr 440V 50Hz	5	1	LVR05050A44	9800
Detuned Reactor 5.7% 3Ph 10kVAr 440V 50Hz	10	1	LVR05100A44	14166
Detuned Reactor 5.7% 3Ph 12.5kVAr 440V 50Hz	12.5	1	LVR05125A44	16200
Detuned Reactor 5.7% 3Ph 15kVAr 440V 50Hz	15	1	LVR05150A44	17177
Detuned Reactor 5.7% 3Ph 20kVAr 440V 50Hz	20	1	LVR05200A44	18232
Detuned Reactor 5.7% 3Ph 25kVAr 440V 50Hz	25	1	LVR05250A44	17100
Detuned Reactor 5.7% 3Ph 50kVAr 440V 50Hz	50	1	LVR05500A44	28594
Detuned Reactor 5.7% 3Ph 75kVAr 440V 50Hz	75	1	LVR05750A44	42890
Detuned Reactor 5.7% 3Ph 100kVAr 440V 50Hz	100	1	LVR05X00A44	57187
<b>VarPlus Detuned Reactor 7%, 440V Range</b>				
Detuned Reactor 7% 3Ph 5kVAr 440V 50Hz	5	1	LVR07050A44 <input checked="" type="checkbox"/>	8633
Detuned Reactor 7% 3Ph 10kVAr 440V 50Hz	10	1	LVR07100A44 <input checked="" type="checkbox"/>	12477
Detuned Reactor 7% 3Ph 12.5kVAr 440V 50Hz	12.5	1	LVR07125A44 <input checked="" type="checkbox"/>	14268
Detuned Reactor 7% 3Ph 15kVAr 440V 50Hz	15	1	LVR07150A44 <input checked="" type="checkbox"/>	15129
Detuned Reactor 7% 3Ph 20kVAr 440V 50Hz	20	1	LVR07200A44 <input checked="" type="checkbox"/>	16059
Detuned Reactor 7% 3Ph 25kVAr 440V 50Hz	25	1	LVR07250A44 <input checked="" type="checkbox"/>	15061
Detuned Reactor 7% 3Ph 50kVAr 440V 50Hz	50	1	LVR07500A44 <input checked="" type="checkbox"/>	25058
Detuned Reactor 7% 3Ph 75kVAr 440V 50Hz	75	1	LVR07750A44 <input checked="" type="checkbox"/>	37588
Detuned Reactor 7% 3Ph 100kVAr 440V 50Hz	100	1	LVR07X00A44 <input checked="" type="checkbox"/>	50118
<b>VarPlus Detuned Reactor 14%, 440V Range</b>				
Detuned Reactor 14% 3Ph 5kVAr 440V 50Hz	5	1	LVR14050A44	13142
Detuned Reactor 14% 3Ph 10kVAr 440V 50Hz	10	1	LVR14100A44	18685
Detuned Reactor 14% 3Ph 12.5kVAr 440V 50Hz	12.5	1	LVR14125A44	22016
Detuned Reactor 14% 3Ph 15kVAr 440V 50Hz	15	1	LVR14150A44	22652
Detuned Reactor 14% 3Ph 20kVAr 440V 50Hz	20	1	LVR14200A44	24580
Detuned Reactor 14% 3Ph 25kVAr 440V 50Hz	25	1	LVR14250A44	24092
Detuned Reactor 14% 3Ph 50kVAr 440V 50Hz	50	1	LVR14500A44	40186
Detuned Reactor 14% 3Ph 75kVAr 440V 50Hz	75	1	LVR14750A44	60279
Detuned Reactor 14% 3Ph 100kVAr 440V 50Hz	100	1	LVR14X00A44	80371

# Power Factor Correction Products



## APFC Relays

Description	No. of Step	Minimum Ordering Quantity (No.)	Reference	Unit LP
<b>Varlogic APFC Relays - Classic Range</b>				
RT6 , 6 step, 440V, 5A	6	1	51207 <input checked="" type="checkbox"/>	11466
RT8 , 8 step, 440V, 5A	8	1	51209 <input checked="" type="checkbox"/>	14862
RT12 , 12 step, 440V, 5A	12	1	51213 <input checked="" type="checkbox"/>	17242
<b>VarPlus Logic APFC Relays - Advanced Range</b>				
VPL06, 6 step LCD Display , 90V - 550V 50/60Hz 1A/5A <b>with RS485</b>	6	1	VPL06N <input checked="" type="checkbox"/>	25543
VPL12, 12 step LCD Display , 90V - 550V 50/60Hz 1A/5A <b>with RS485</b>	12	1	VPL12N <input checked="" type="checkbox"/>	27581

## Capacitor Duty Contactors (AC Control)



- Conformance to IEC 60070 and 60831,UL, CSA
- Special Contactors designed for switching of 3 Phase, single or multi step capacitor bank#
- Current limiting using block of early make poles and damping resistors
- Inbuilt auxiliary contact

Nominal Reactive Power 440 V	Auxiliary Contacts	Reference	Unit MRP
<b>LC1-D•K - with Damping Resistors &amp; Block of Early Make polesz</b>			
12.5 kVar	1 NO + 1 NC	LC1DFK*	2600
16.7 kVar	1 NO + 1 NC	LC1DGK11*C	3650
20 kVar	1 NO + 1 NC	LC1DLK*	4100
25 kVar	1 NO + 1 NC	LC1DMK11*C	4500
33.3 kVar	1 NO + 2 NC	LC1DPK*C	9800
40 kVar	1 NO + 2 NC	LC1DTK*C	13500
60 kVar	1 NO + 2 NC	LC1DWK*C	15200

#Contactor recommended upto 6 steps. For over 6 steps it is recommended to use chokes

\* Reference to be completed by adding coil voltage code

### \* Coil Voltage Code

VOLTAGE	110	220
LC1DPK ....DWK 50HZ	F7	M7

Note: For ordering contactors with other coil voltages & frequencies, please add Rs 190/- to the unit price of the standard contactor of the same rating. For details on non standard references, technical parameters, accessories, compatibility, stockable and non stockable status please contact Customer Care

# Power Factor Correction Equipment- VarSet



## Reliable

- > Achieves Target set PF
- > Reduces demand kVA
- > Eliminates PF Penalty
- > Highest output to steps ratio "0"
- > Fuel savings in DG

## Safe

- > 3ph simultaneous PSD
- > Burst proof capacitors
- > Detuned Reactors- No Harmonic Amplification
- > Minimum switching transient

## Embedded Intelligence

- > Auto start, Auto detection, Auto polarity check, Auto c/k
- > Thermal intelligence
- > Harmonic intelligence
- > Asset management and performance
- > PQ Disturbance detection (Optional)

## Digitize

- > Flexible to move to connected world
- > Web page monitor facility through Schneider Gateway devices (Optional)
- > Seam less integration with PME, PSE

## Quality of construction

- > Compliance to IEC 61921 and Indian Standards.
- > Stringent quality control measures
- > Best Engineering practices
- > Best thermal design for heat dissipation



NORMAL STOCK ITEMS

W.E.F. March 12, 2018

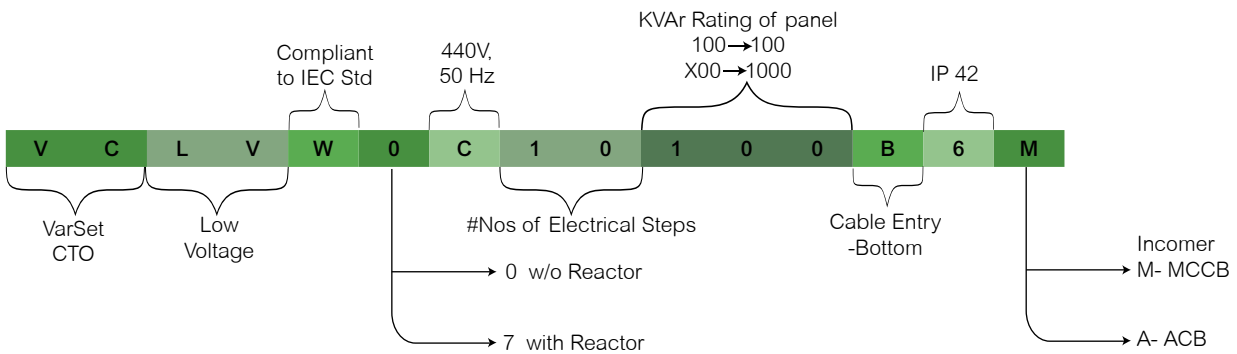
# Power Factor Correction Equipment- VarSet

## VarSet LV APFC panels without reactors



Panel Ratings	Step Configuration in kVAr	Cat Reference No.	Dimensions (in mm) W x D x H	Unit LP
<b>Incomer MCCB</b>				
100	3x10kVAr + 1x20kVAr + 1x50kVAr	VCLVW0C10100B6M	800 x 600 x 1800	300855
125	2x12.5kVAr + 2x25kVAr + 1x50kVAr	VCLVW0C10125B6M	800 x 600 x 1800	314744
150	2x12.5kVAr + 1x25kVAr + 2x50kVAr	VCLVW0C12150B6M	800 x 600 x 1800	350444
200	2x12.5kVAr + 1x25kVAr + 3x50kVAr	VCLVW0C16200B6M	800 x 600 x 1800	404762
250	2x12.5kVAr + 1x25kVAr + 4x50kVAr	VCLVW0C20250B6M	800 x 600 x 2000	451905
300	2x12.5kVAr + 1x25kVAr + 5x50kVAr	VCLVW0C24300B6M	1000 x 600 x 2000	531190
350	2x12.5kVAr + 1x25kVAr + 6x50kVAr	VCLVW0C28350B6M	1000 x 600 x 2000	559524
400	2x25kVAr + 3x50kVAr + 2x100kVAr	VCLVW0C16400B6M	1200 x 800 x 2000	576190
500	2x25kVAr + 3x50kVAr + 3x100kVAr	VCLVW0C20500B6M	1200 x 800 x 2000	717857
<b>Incomer ACB</b>				
500	2x25kVAr + 3x50kVAr + 3x100kVAr	VCLVW0C20500B6A	1200 x 800 x 2000	765238
600	2x25kVAr + 3x50kVAr + 4x100kVAr	VCLVW0C24600B6A	1600 x 800 x 2000	881190
700	2x25kVAr + 3x50kVAr + 5x100kVAr	VCLVW0C28700B6A	1600 x 800 x 2000	987811
750	2x25kVAr + 4x50kVAr + 5x100kVAr	VCLVW0C30750B6A	1600 x 800 x 2000	1049744
800	2x25kVAr + 3x50kVAr + 6x100kVAr	VCLVW0C32800B6A	2000 x 800 x 2000	1088806
900	2x25kVAr + 3x50kVAr + 7x100kVAr	VCLVW0C36900B6A	2000 x 800 x 2000	1179744
1000	2x25kVAr + 1x50kVAr + 9x100kVAr	VCLVW0C40X00B6A	2000 x 800 x 2000	1244359

## Cat Reference Creation



### Product offer:

VarSet LV APFC panels with 7% / without Reactors

Ratings = 100kVAr to 1000kVAr  
Capacitor = MPP HD Can 440/480V, with 3ph simultaneous PSD

### General Features:

System voltage = 440V  
Frequency = 50Hz  
Phase = 3  
Design = Modular / Expandable  
IP = IP42  
Switching = Random

### Incomer:

Upto 500kVAr = MCCB, 36kA  
500 to 1000kVAr = ACB, 65kA  
Step protection = MCCBs, 36kA


### Switching:

Capacitor duty  
Contactor - without Reactor design  
Power Contactors - with Reactor design

# Power Factor Correction Equipment- VarSet

VarSet LV APFC panels with 7% reactors



Panel Ratings	Step Configuration in kVAr	Cat Reference No.	Dimensions (in mm) W x D x H	Unit LP 
<b>Incomer MCCB</b>				
100	3x10kVAr + 1x20kVAr + 1x50kVAr	VCLVW7C10100B6M	1300 x 600 x 1800	367949
125	2x12.5kVAr + 2x25kVAr + 1x50kVAr	VCLVW7C10125B6M	1300 x 600 x 1800	388462
150	2x12.5kVAr + 1x25kVAr + 2x50kVAr	VCLVW7C12150B6M	1300 x 600 x 1800	428000
200	2x12.5kVAr + 1x25kVAr + 3x50kVAr	VCLVW7C16200B6M	1300 x 600 x 1800	497381
250	2x12.5kVAr + 1x25kVAr + 4x50kVAr	VCLVW7C20250B6M	1300 x 600 x 2000	554048
300	2x12.5kVAr + 1x25kVAr + 5x50kVAr	VCLVW7C24300B6M	1500 x 800 x 2000	660000
350	2x12.5kVAr + 1x25kVAr + 6x50kVAr	VCLVW7C28350B6M	1500 x 800 x 2000	697619
400	2x25kVAr + 3x50kVAr + 2x100kVAr	VCLVW7C16400B6M	1700 x 800 x 2000	702619
500	2x25kVAr + 3x50kVAr + 3x100kVAr	VCLVW7C20500B6M	1700 x 800 x 2000	866905
<b>Incomer ACB</b>				
500	2x25kVAr + 3x50kVAr + 3x100kVAr	VCLVW7C20500B6A	1700 x 800 x 2000	914286
600	2x25kVAr + 3x50kVAr + 4x100kVAr	VCLVW7C24600B6A	2100 x 800 x 2000	1043571
700	2x25kVAr + 3x50kVAr + 5x100kVAr	VCLVW7C28700B6A	2200 x 800 x 2000	1182090
750	2x25kVAr + 4x50kVAr + 5x100kVAr	VCLVW7C30750B6A	2200 x 800 x 2000	1259231
800	2x25kVAr + 3x50kVAr + 6x100kVAr	VCLVW7C32800B6A	3000 x 800 x 2000	1333831
900	2x25kVAr + 3x50kVAr + 7x100kVAr	VCLVW7C36900B6A	3000 x 800 x 2000	1449231
1000	2x25kVAr + 1x50kVAr + 9x100kVAr	VCLVW7C40X00B6A	3000 x 800 x 2000	1531538

Note:

- 1) Prices mentioned above are Ex-works Bangalore
- 2) Prices are exclusive of GST
- 3) For any further clarification contact Schneider Electric sales office or Customer Care Center



# Accusine PCS+

- All in one: Harmonics, PF, Load unbalance, Flicker
- Fully selectable harmonics: 2<sup>nd</sup> to 50<sup>th</sup>
- Flexible CT connection: Load side/ source side
- Suitable to work in Harsh environment including marine application
- Parallel connection up to 99 units - any combination of models
- Standards compliance / certification: cULis (UL508, CSA 22.2 No.14) CE Certified
- PCBA Protection - conformal coating on all PCBAs pollution Degree 2



# Harmonic Filtration Equipment- AccuSine



- 3 Ph, 4 wire connection
- From 400V - 440V supply
- Parallel connection up to 4 units
- Harmonic cancellation spectrum from 2nd to 50th harmonic order
- Neutral current correction: 3 times unit rating

## AccuSine SWP

Description	AMPS	Minimum Ordering Quantity (No.)	Reference	Unit LP
<b>AccuSine SWP (Single Unit)</b>				
AccuSine SWP 20A 400V 50-60Hz IP20 Unitary	20	1	PCS020Y4IP20U	on request
AccuSine SWP 30A 400V 50-60Hz IP20 Unitary	30	1	PCS030Y4IP20U	on request
AccuSine SWP 45A 400V 50-60Hz IP20 Unitary	45	1	PCS045Y4IP20U	on request
AccuSine SWP 60A 400V 50-60Hz IP20 Unitary	60	1	PCS060Y4IP20U	on request
AccuSine SWP 90A 400V 50-60Hz IP20 Unitary	90	1	PCS090Y4IP20U	on request
AccuSine SWP 120A 400V 50-60Hz IP20 Unitary	120	1	PCS120Y4IP20U	on request
<b>AccuSine SWP (Parallel Unit application)</b>				
AccuSine SWP 20A 400V 50-60Hz IP20 Parallel	20	1	PCS020Y4IP20P	on request
AccuSine SWP 30A 400V 50-60Hz IP20 Parallel	30	1	PCS030Y4IP20P	on request
AccuSine SWP 45A 400V 50-60Hz IP20 Parallel	45	1	PCS045Y4IP20P	on request
AccuSine SWP 60A 400V 50-60Hz IP20 Parallel	60	1	PCS060Y4IP20P	on request
AccuSine SWP 90A 400V 50-60Hz IP20 Parallel	90	1	PCS090Y4IP20P	on request
AccuSine SWP 120A 400V 50-60Hz IP20 Parallel	120	1	PCS120Y4IP20P	on request

Note: Active Harmonic Filter prices on request



## Accusine PCS+

- 3 Ph, 3 wire connection
- From 208V to 690V supply
- Parallel connection up to 99 units - any combination of models
- Harmonic cancellation spectrum from 2nd to 50th harmonic order
- Load balancing of source current
- DPF correction
- Can be used with PF capacitors as Hybrid VAR compensation (HVC) system

Description	AMPS	Minimum Ordering Quantity (No.)	Reference	Unit LP
<b>AccuSine PCS+</b>				
AccuSine PCS+ 60A 380V- 480V 50- 60Hz IP31	60	1	PCSP060D5IP31	on request
AccuSine PCS+ 120A 380V - 480V 50- 60Hz IP31	120	1	PCSP120D5IP31	on request
AccuSine PCS+ 200A 380V- 480V 50- 60Hz IP31	200	1	PCSP200D5IP31	on request
AccuSine PCS+ 300A 380V- 480V 50- 60Hz IP31	300	1	PCSP300D5IP31	on request
AccuSine PCS+ 60A 380V-480V 50- 60Hz IP54	60	1	PCSP060D5IP54	on request
AccuSine PCS+ 120A 380V-480V 50- 60Hz IP54	120	1	PCSP120D5IP54	on request
AccuSine PCS+ 200A 380V- 480V 50- 60Hz IP54	200	1	PCSP200D5IP54	on request
AccuSine PCS+ 300A 380V- 480V 50- 60Hz IP54	300	1	PCSP300D5IP54	on request

Note: Active Harmonic Filter prices on request



# Selection of capacitor (kVAr & Voltage) for Detuned filter Application

Effective kVAr out put of Detuned Filter @ 440V	Selection of 480V capacitors for 7%/ 5.7% detuned Reactor for 440V	Selection of 525V capacitors for 7%/ 5.7% detuned Reactor for 440V	Selection of 525V capacitors for 14% detuned Reactor for 440V
5	5kVAr 7%/5.7% Reactor + 5.6kVAr, 480V Capacitor	5kVAr 7%/5.7% Reactor + 6.9kVAr, 525V Capacitor	5kVAr 14% Reactor + 6.9kVAr, 525V Capacitor
10	10kVAr 7%/5.7% Reactor + 11.3kVAr, 480V Capacitor	10kVAr 7%/5.7% Reactor + 13.8kVAr, 525V Capacitor	10kVAr 14% Reactor + 12.5kVAr, 525V Capacitor
12.5	12.5kVAr 7%/5.7% Reactor + 14.4kVAr, 480V Capacitor	12.5kVAr 7%/5.7% Reactor + 17.2kVAr, 525V Capacitor	12.5kVAr 14% Reactor + 15.4kVAr, 525V Capacitor
15	15kVAr 7%/5.7% Reactor + 17kVAr, 480V Capacitor	15kVAr 7%/5.7% Reactor + 20.6kVAr, 525V Capacitor	15kVAr 14% Reactor + 18.5kVAr, 525V Capacitor
20	20kVAr 7%/5.7% Reactor + 22.4kVAr, 480V Capacitor	20kVAr 7%/5.7% Reactor + 27.5kVAr, 525V Capacitor	20kVAr 14% Reactor + 25kVAr, 525V Capacitor
25	25kVAr 7%/5.7% Reactor + 28.1kVAr, 480V Capacitor	25kVAr 7%/5.7% Reactor + 33.1kVAr, 525V Capacitor	25kVAr 14% Reactor + 30.6kVAr, 525V Capacitor
50	50kVAr 7%/5.7% Reactor + 2 x 28.1kVAr, 480V Capacitor	50kVAr 7%/5.7% Reactor + 2 x 33.1kVAr, 525V Capacitor	50kVAr 14% Reactor + 2 x 30.6kVAr, 525V Capacitor
75	75kVAr 7%/5.7% Reactor + 3 x 28.1kVAr, 480V Capacitor	75kVAr 7%/5.7% Reactor + 3 x 33.1kVAr, 525V Capacitor	75kVAr 14% Reactor + 3 x 30.6kVAr, 525V Capacitor
100	100kVAr 7%/5.7% Reactor + 4 x 28.1kVAr, 480V Capacitor	100kVAr 7%/5.7% Reactor + 4 x 33.1kVAr, 525V Capacitor	100kVAr 14% Reactor + 4 x 30.6kVAr, 525V Capacitor

Life Is On

**Schneider**  
Electric

## Schneider Electric India Pvt. Ltd.

Corporate Office: 9th Floor, DLF Building No. 10, Tower C, DLF Cyber City, Phase II, Gurugram 122002 Haryana  
Tel.: ++91 124 3940400 Fax: ++91 124 4222036/ 037

**Ahmedabad**  
Schneider Electric India (P) Ltd.  
1506-1507, 15th Floor Shapth-5,  
SG Highway, Ahmedabad - 380015  
Tel.: 079-66826701

**Cochin**  
Schneider Electric India (P) Ltd.  
41 / 406- D1,3rd Floor, Beejay Towers,  
Rajaji Road Cochin- 682035  
Tel.: 0484-3048401

**Ludhiana**  
Schneider Electric India (P) Ltd.  
Office No. - 3, 5th Floor, Novelty Plaza  
Bhaiwala Chowk  
Ludhiana- 140001  
Tel.: 0161- 4656672-75

**Secunderabad**  
D.No. 1-8-271, # 401, Ashoka Bhoopal  
Chambers, SP Road,  
Secunderabad - 500003  
Tel.: 04039404000  
Fax.: 040-39131313

**Bengaluru**  
Schneider Electric India (P) Ltd.  
No. 3/1, JP Techno Park,  
Mezzanine Floor, Millers Tank Bund  
Road, Vasanth Nagar,  
Bengaluru - 560052. Tel.: 080-71481351

**Coimbatore**  
Schneider Electric India (P) Ltd.  
No. -104, Classic Tower, 3rd Floor,  
Trichy Road, Coimbatore- 641018  
Tel.: 0422-3940400

**Mumbai**  
Schneider Electric India (P)( Ltd)  
Marwah House, 2nd Floor  
Krishanlal Marwah Marg,  
Andheri (East), Mumbai - 400072  
Tel.: 91-22-30263300

**Vadodara**  
605 & 606, 6th Floor Ocean Building,  
Opp.Vadodara Central, Sarabhai Road,  
Vadodara-390005  
Tel.: 0265-3940400

**Bhubaneswar:**  
Schneider Electric India (P) Ltd.  
6th Floor, Block A, JSS Software Technol-  
ogy park , E 1/1 , Chandaka Industrial  
Estate, Info City , Bhubaneswar -751025  
Tel.: 0674-6672000

**Jaipur**  
Schneider Electric India (P) Ltd.  
Jaipur Business Centre 309, 3rd  
Floor, Sangam Tower 190, Church  
Road, Jaipur-302001  
Tel.: 0141-3912903

**Nagpur**  
Schneider Electric India (P) Ltd.  
Fortune Business Centre, 6,  
Basant Vihar, W.H.C Road  
Shankar Nagar, Nagpur- 440010  
Tel.: 0712-2558581

**Vishakhapatnam**  
Schneider Electric India (P) Ltd.  
Ratnam's Business Centre,  
D.N.10-1-43, 1st Floor  
Siripuram Fort,C.B.M.Compound,  
Visakhapatnam- 530016  
Tel.: 0891 - 2508990

**Chandigarh**  
Schneider Electric India (P) Ltd.  
2nd Floor of Tower A  
Bestech Business Tower  
Sector-66  
Mohali- 160059  
Tel.: 0172-3324500

**Kolkata**  
Schneider Electric (I)Pvt.Ltd.,  
BP-4, Sector-V  
Technopolis  
3rd floor, Salt Lake City  
Kolkata- 700 091  
Tel.: 033-333640100-101

**Nashik:**  
Schneider Electric India (P) Ltd.  
401, 4th Floor Rishi Raj Towers, Jehan  
Circle, Gangapur Road,  
Nashik- 422013  
Tel: +91-7620498557

**Chennai**  
Schneider Electric India (P) Ltd.  
No:29, 2nd floor, Bannari Amman Towers,  
B-Block,RK Salai, Mylapore  
Chennai - 600 004  
Tel.:044- 39404000

**Lucknow**  
Schneider Electric India (P) Ltd.  
1st Floor, Asha Bhawan 27 / II -A,  
Gokhale Marg, Lucknow- 226001  
Tel.: 0522-4006010

**Pune**  
Schneider Electric India (P) Ltd.  
1st Floor, R.B. Business Centre  
Above Dass Electronics  
Sanghvi Nagar, Aundh, Pune- 411007  
Tel.: 020-39404000

### Customer Care Centre

Monday-Saturday, 9 a.m. to 8 p.m.

Toll-free numbers: 1800 419 4272, 1800 103 0011

Email: [customer care.in@schneider-electric.com](mailto:customer care.in@schneider-electric.com)

For more information, visit our website at: [www.schneider-electric.co.in](http://www.schneider-electric.co.in)

- All Prices are in Indian Rupees.
- Prices are subject to change without notice.
- Prices charged will be as prevailing on the date of dispatch.
- Maximum Retail Price (MRP) is inclusive of all taxes

- Tax incidence on invoices is basis applicable GST rates. Invoice amount not to exceed MRP.
- Invoice Amount = (MRP – less Applicable discount) + Applicable GST %

**Distributor**